

Light Duty Oil-Cooled Rectifier with optional explosion proof fittings

This rectifier can be used for many CP applications and can be customized if required. It is Remote Ready if that should ever be a requirement.

Features: 36 Step DC Voltage Adjustment over output range
Magnetic Circuit Breakers for both Primary & Secondary side of transformer (no fuse required)
Magnetic Circuit Breaker for DC output bridge
Heavy AC / DC Lightning and Surge Protection
Separate robust DC output Volt Meter & Ammeter



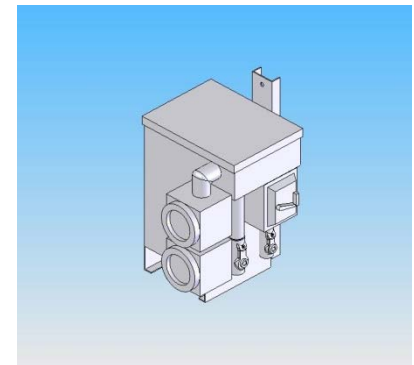
Oil-Cooled 14"wide x 9"deep x 17"high 23" U Channel Mount

Rectifier - Model Number Example:

REC-LD-120/240VAC-1PH50/60-30V-6A-6TAP6-G-OIL

Codes:

REC = Rectifier Product Category
LD = Rugged Light Duty Version (only 3 Gallons of Oil required)
120/240VAC = Dual Input 120 / 240-Volt AC (wired for 120 VAC)
1PH50/60 = Single Phase 50 / 60 Cycle
30V = 30-Volt DC Output **Choose from these: 50V-4A,**
6A = 6-Ampere DC Output **30V-6A, 25V-8A, 20V-10A**
6TAP6 = High Resolution (36 step) Tap Adjustable DC Output
G = Galvanized
OIL = Oil-Cooled
EXP = Explosion Proof



Explosion Proof Option
Add EXP to Part No. for this Option